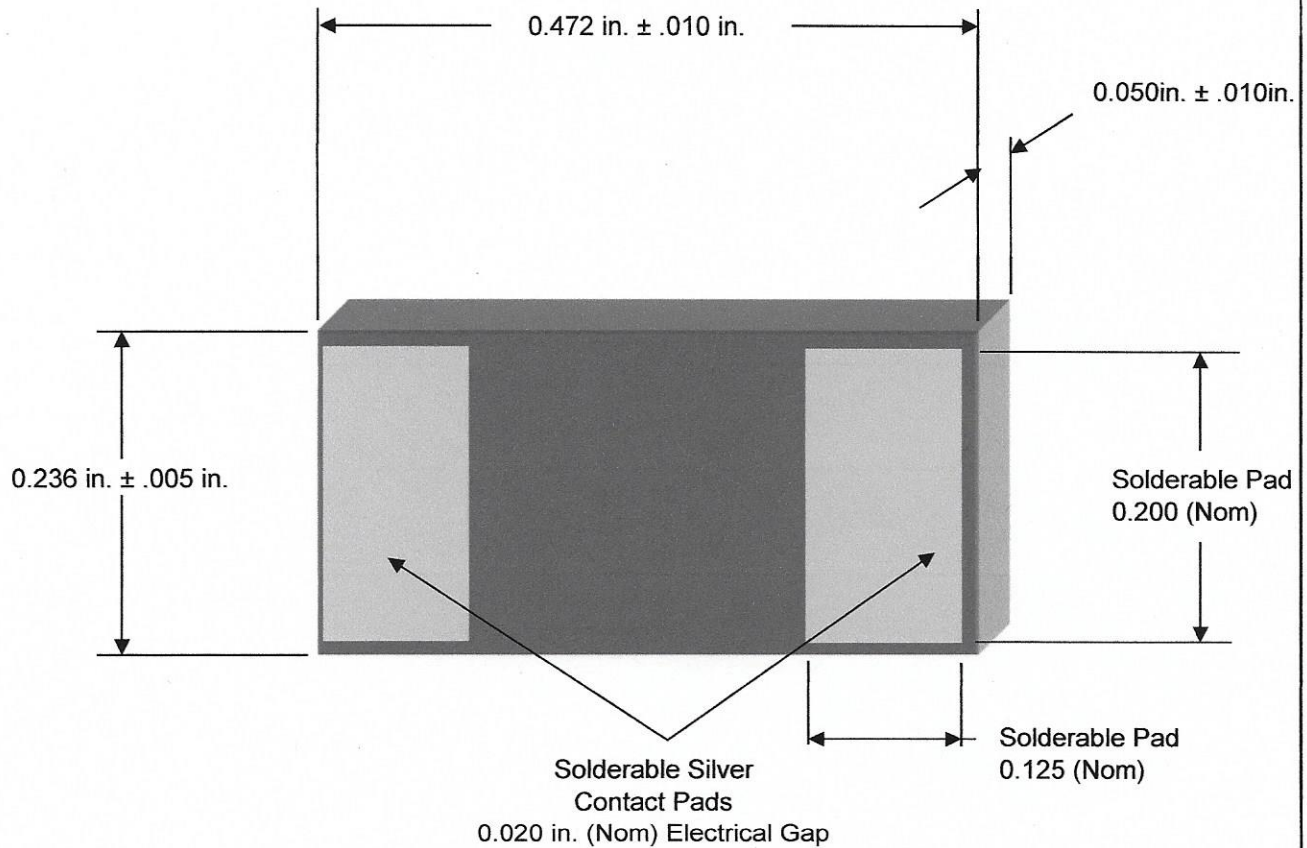


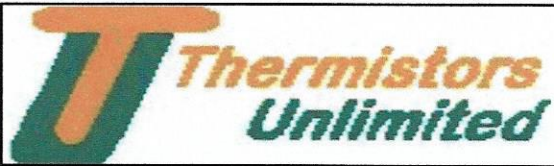
Note:

1. All dimensions are in inches (mm)
2. Resistance at 25°C = 100 Ohms ± 50 %
3. Switch temperature = 90 °C (TYP)
4. Max voltage = 50 Volts



St Marys, PA 15857
 Ph : 814-834-1541
 Fax : 814-834-1556

E-Mail : Greg.Stauffer@thermistorsunlimited.com
 Web Site : www.thermistorsunlimited.com



REVISIONS		
NUM	COMMENTS	BY
Approved By: GJS		

NAME : PTC Thermistor
TYPE: PS425C090S102H
BY: ADM DATE: 8-10-01