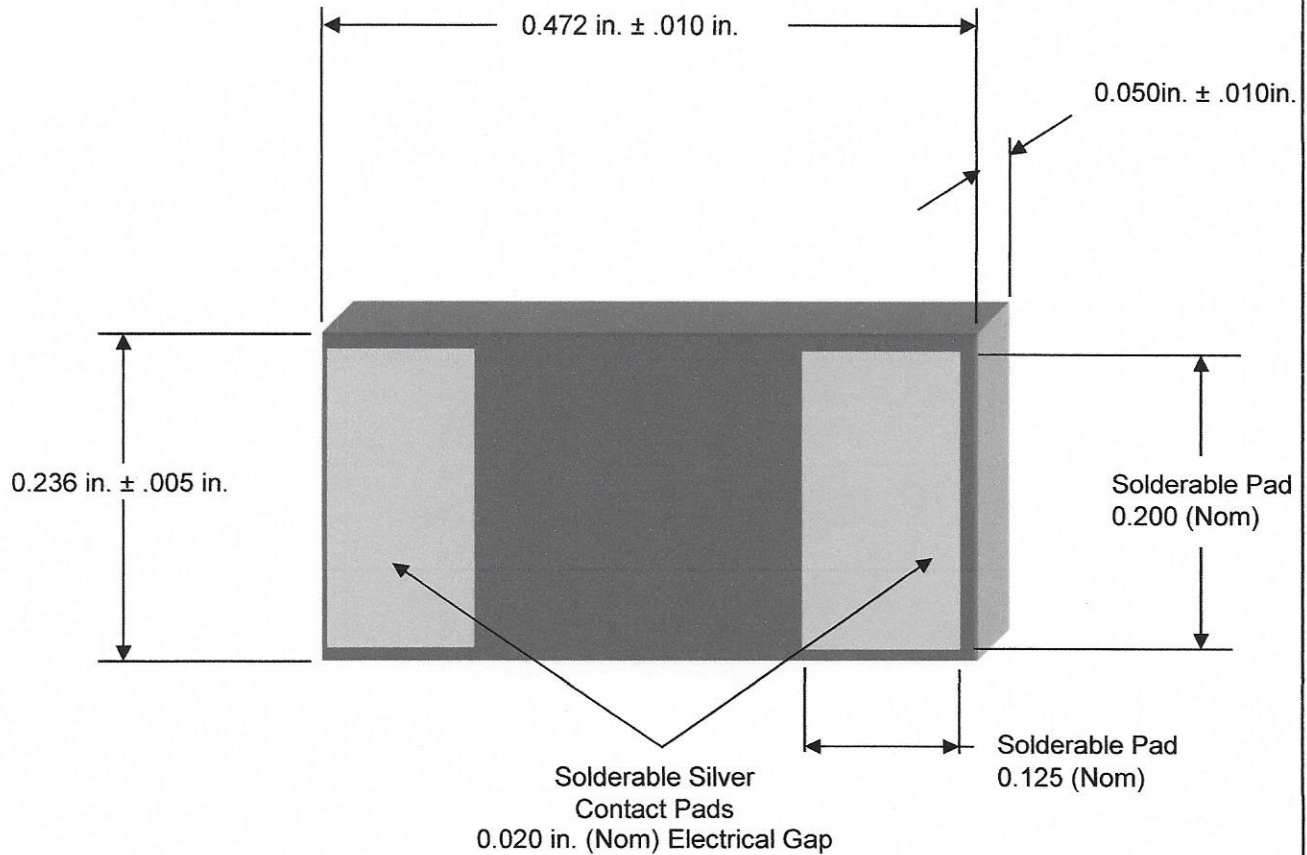


**Note:**

1. All dimensions are in inches (mm)
2. Resistance at 25°C = 100 Ohms ± 50 %
3. Switch temperature = 50 °C (TYP)
4. Max voltage = 50 Volts



St Marys, PA 15857  
 Ph : 814-834-1541  
 Fax : 814-834-1556

E-Mail : Greg.Stauffer@thermistorsunlimited.com  
 Web Site : www.thermistorsunlimited.com



REVISIONS		
NUM	COMMENTS	BY
Approved By: GJS		BY: ADM
		DATE: 8-10-01

NAME : PTC Thermistor  
 TYPE: PS425C050S102H