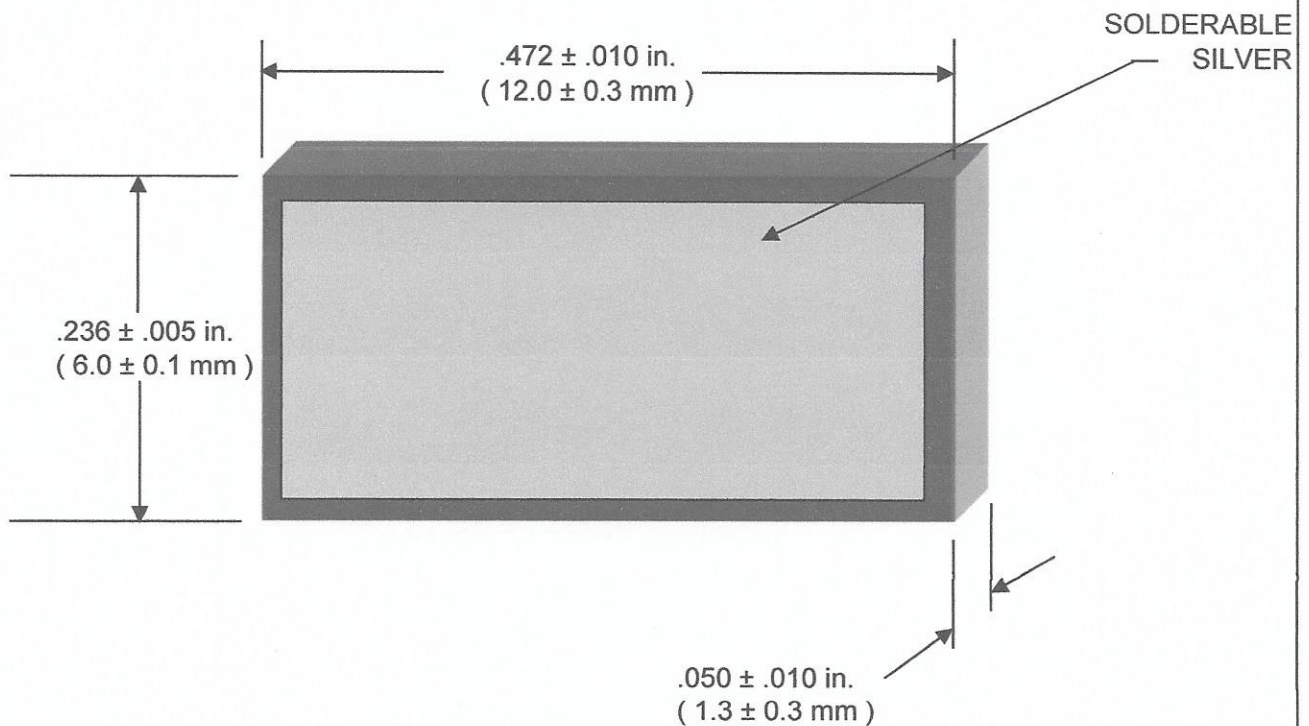


Note:

1. All dimensions are in inches (mm)
2. Resistance at 25°C = 10 Ohms ± 50%
3. Switch temperature = 90 °C TYP
4. Max voltage = 50 Volts



CUSTOMER : STANDARD LIST

CUSTOMER PART NO.:

St Marys, PA 15857
 Ph : 814-834-1541
 Fax : 814-834-1556

E-Mail : Greg.Stauffer@thermistorsunlimited.com
 Web Site : www.thermistorsunlimited.com



REVISIONS		
NUM	COMMENTS	BY

NAME : PTC Thermistor
 TYPE: PR425C090S101H
 BY: ADM DATE: 8-1-2001

Approved by: GJS