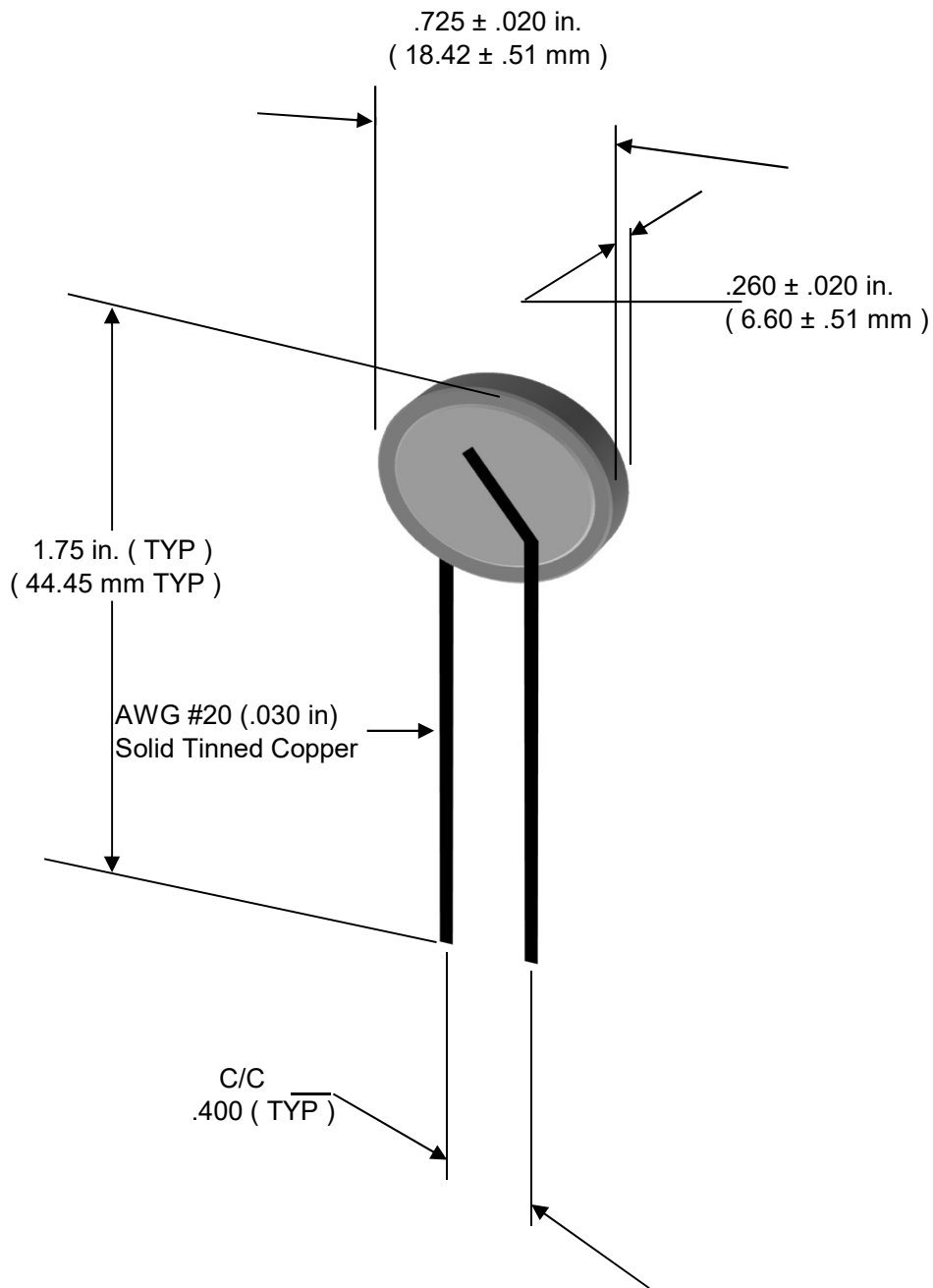


**Note:**

1. All dimensions are in inches (mm)
2. Resistance at 25°C = 25.0 Ohms ± 20%
3. Switch temperature = 120°C
4. Max voltage = 400 Volts



St Marys, PA 15857  
 Ph : 814-834-1541  
 Fax : 814-834-1556

E-Mail : [Greg.Stauffer@thermistorsunlimited.com](mailto:Greg.Stauffer@thermistorsunlimited.com)  
 Web Site : [www.thermistorsunlimited.com](http://www.thermistorsunlimited.com)



REVISIONS		
NUM	COMMENTS	BY
Approved by: GJS		

NAME : PTC Thermistor
TYPE: P7520F120X251F
BY: GJS      DATE: 07-29-2021