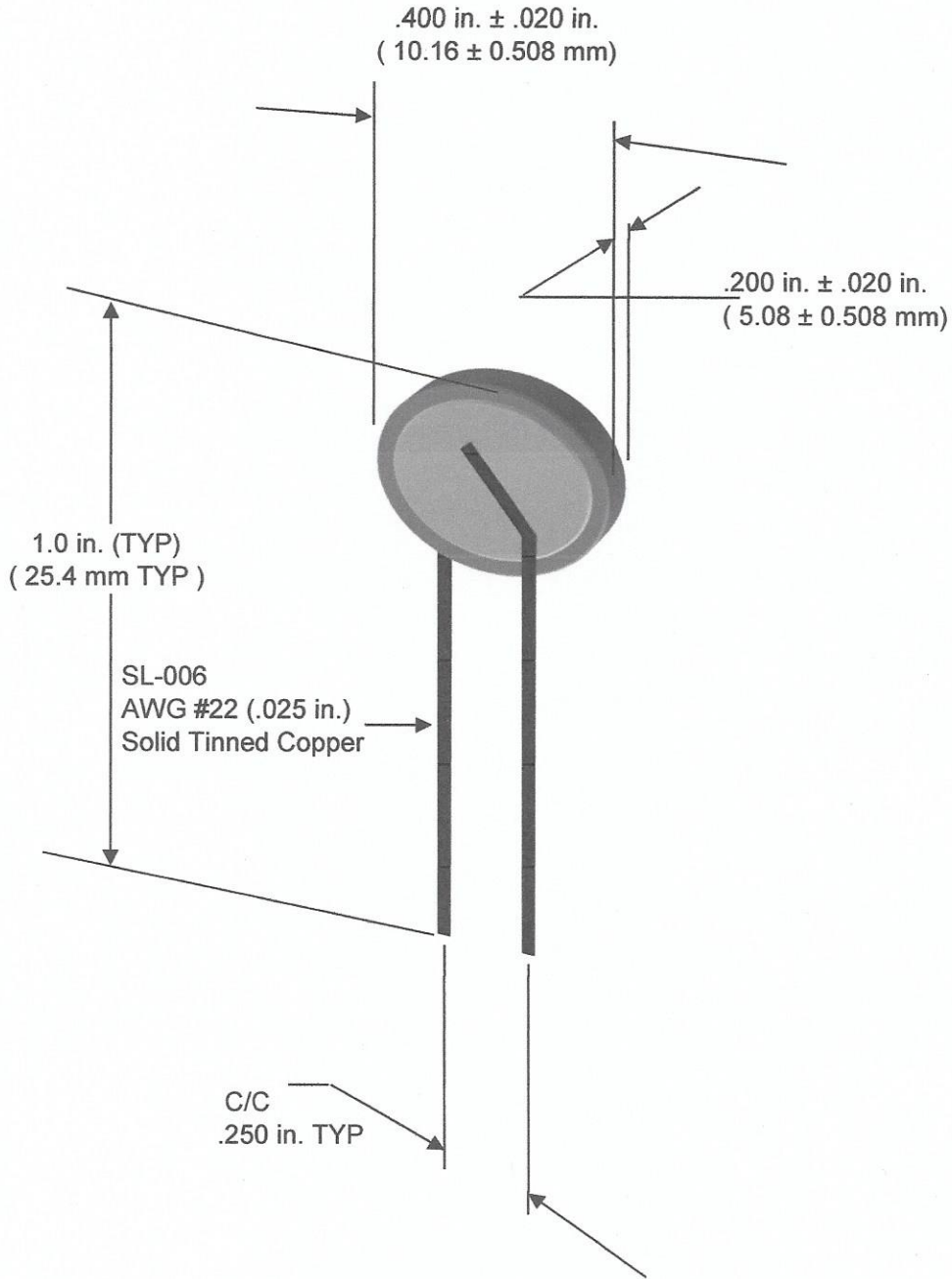


Note:

1. All dimensions are in inches (mm)
2. Resistance at 25°C = 25 Ohms ± 20%
3. Switch temperature = 120°C
4. Max voltage = 240 Volts



CUSTOMER: STANDARD LIST

CUSTOMER PART NO.:

St Marys, PA 15857
 Ph : 814-834-1541
 Fax : 814-834-1556

E-Mail : Greg.Stauffer@thermistorsunlimited.com
 Web Site : www.thermistorsunlimited.com



REVISIONS

NUM	COMMENTS	BY	
03	SL-002 leads to SL-006 (6/22/07)	ADM	NAME : PTC Thermistor
02	New Format	GJS	TYPE: P4015E120X251F
Approved by: KMM			BY: ADM DATE: 5-13-2002