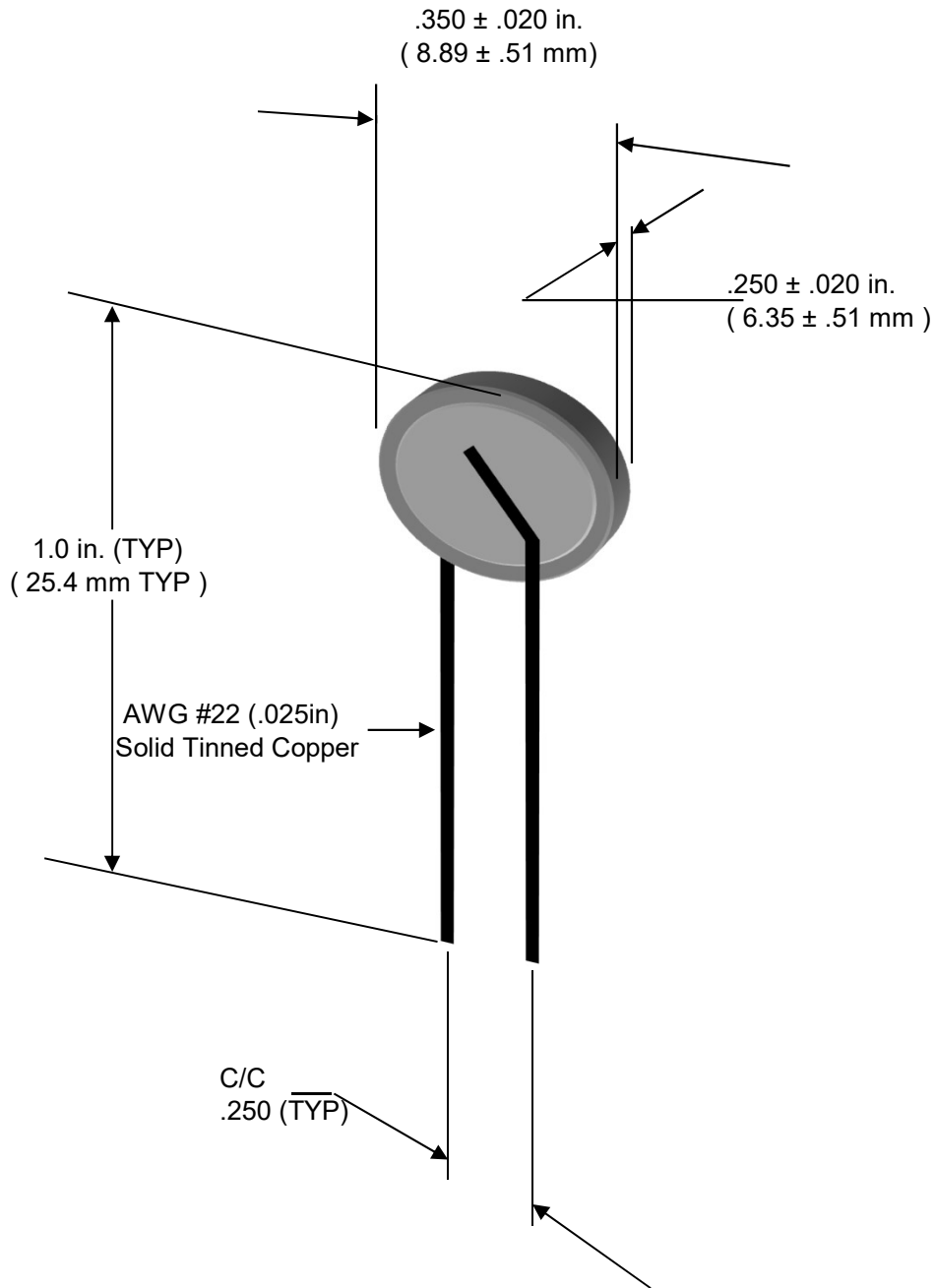


**Note:**

1. All dimensions are in inches (mm)
2. Resistance at 25°C = 50 Ohms ± 20%
3. Switch temperature = 120°C
4. Max voltage = 400 Volts



St Marys, PA 15857  
 Ph : 814-834-1541  
 Fax : 814-834-1556

E-Mail : [Greg.Stauffer@thermistorsunlimited.com](mailto:Greg.Stauffer@thermistorsunlimited.com)  
 Web Site : [www.thermistorsunlimited.com](http://www.thermistorsunlimited.com)



REVISIONS

NUM	COMMENTS	BY
01	SL-002 leads to SL-006 (12-16-2004)	GJS

NAME : PTC Thermistor  
 TYPE: P3520F120X501F

Approved by: GJS

BY: ADM

DATE: 07-19-2001