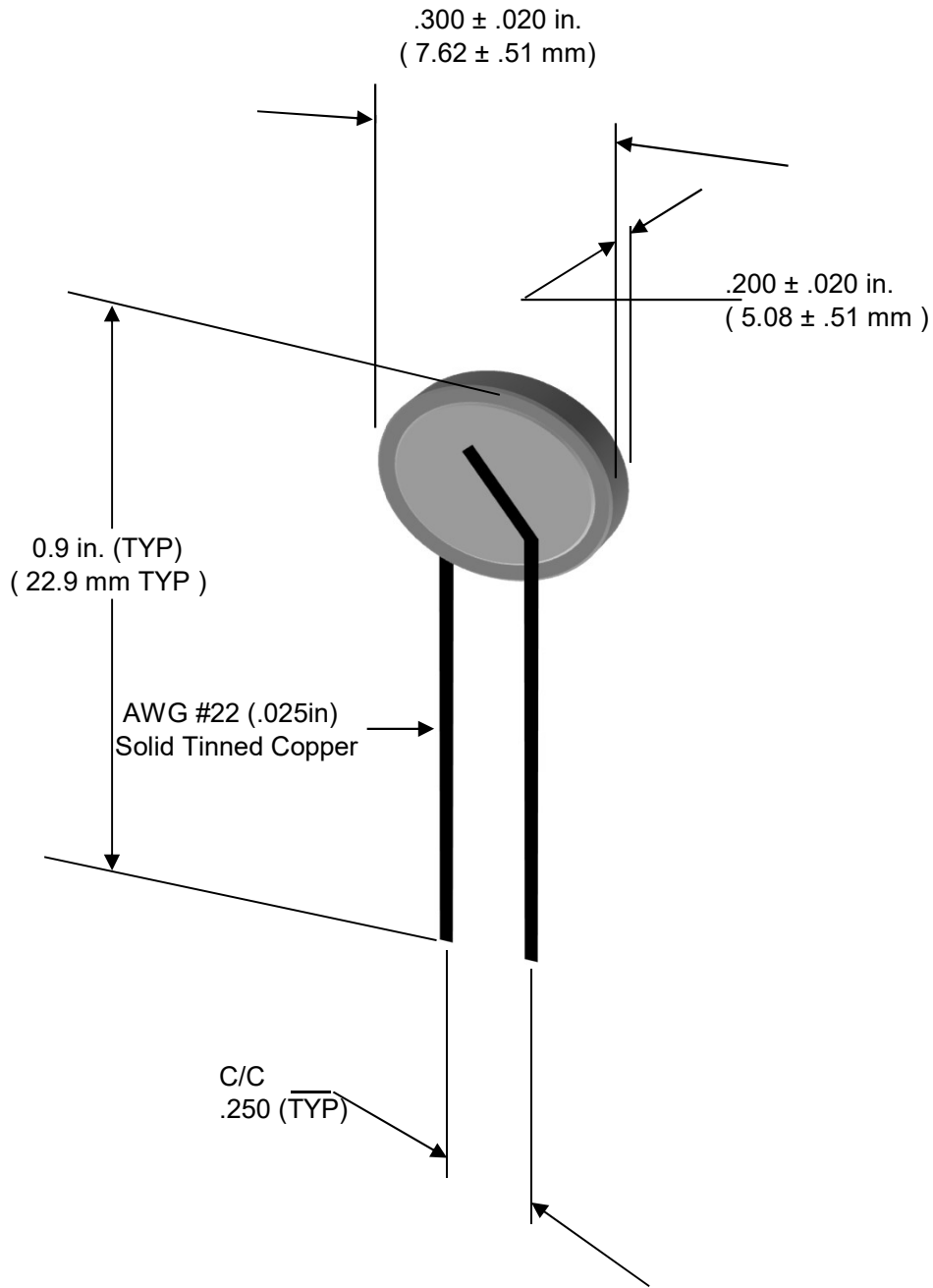


Note:

1. All dimensions are in inches (mm)
2. Resistance at 25°C = 50 Ohms ± 20%
3. Switch temperature = 120°C
4. Max voltage = 240 Volts



St Marys, PA 15857
 Ph : 814-834-1541
 Fax : 814-834-1556

E-Mail : Greg.Stauffer@thermistorsunlimited.com
 Web Site : www.thermistorsunlimited.com



REVISIONS

NUM	COMMENTS	BY	
02	New Format	GJS	NAME : PTC Thermistor
01	Original Drawing (07-19-2001)	GJS	TYPE: P3015E120X501F
Approved by: GJS			BY: ADM DATE: 05-13-2002