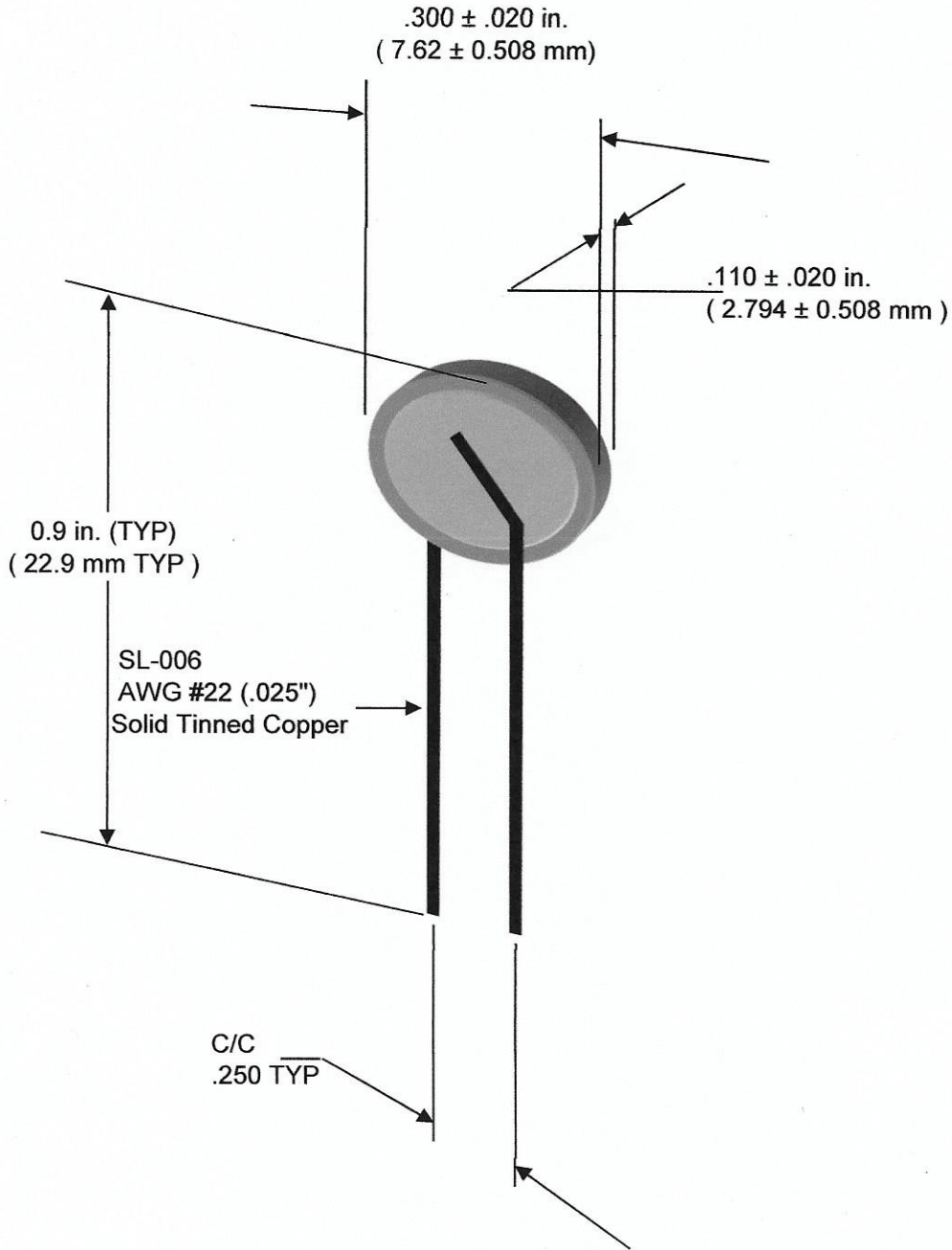


Note:

1. All dimensions are in inches (mm)
2. Resistance at 25°C = 20 Ohms ± 20%
3. Switch temperature = 120°C
4. Max voltage = 50 Volts



CUSTOMER: STANDARD LIST 3006

CUSTOMER PART NO.:

St Marys, PA 15857
 Ph : 814-834-1541
 Fax : 814-834-1556

E-Mail : Greg.Stauffer@thermistorsunlimited.com
 Web Site : www.thermistorsunlimited.com



REVISIONS		
NUM	COMMENTS	BY
Approved by: GJS		

NAME : PTC Thermistor
TYPE: P3006C120X201F
BY: ADM
DATE: 7-19-2001