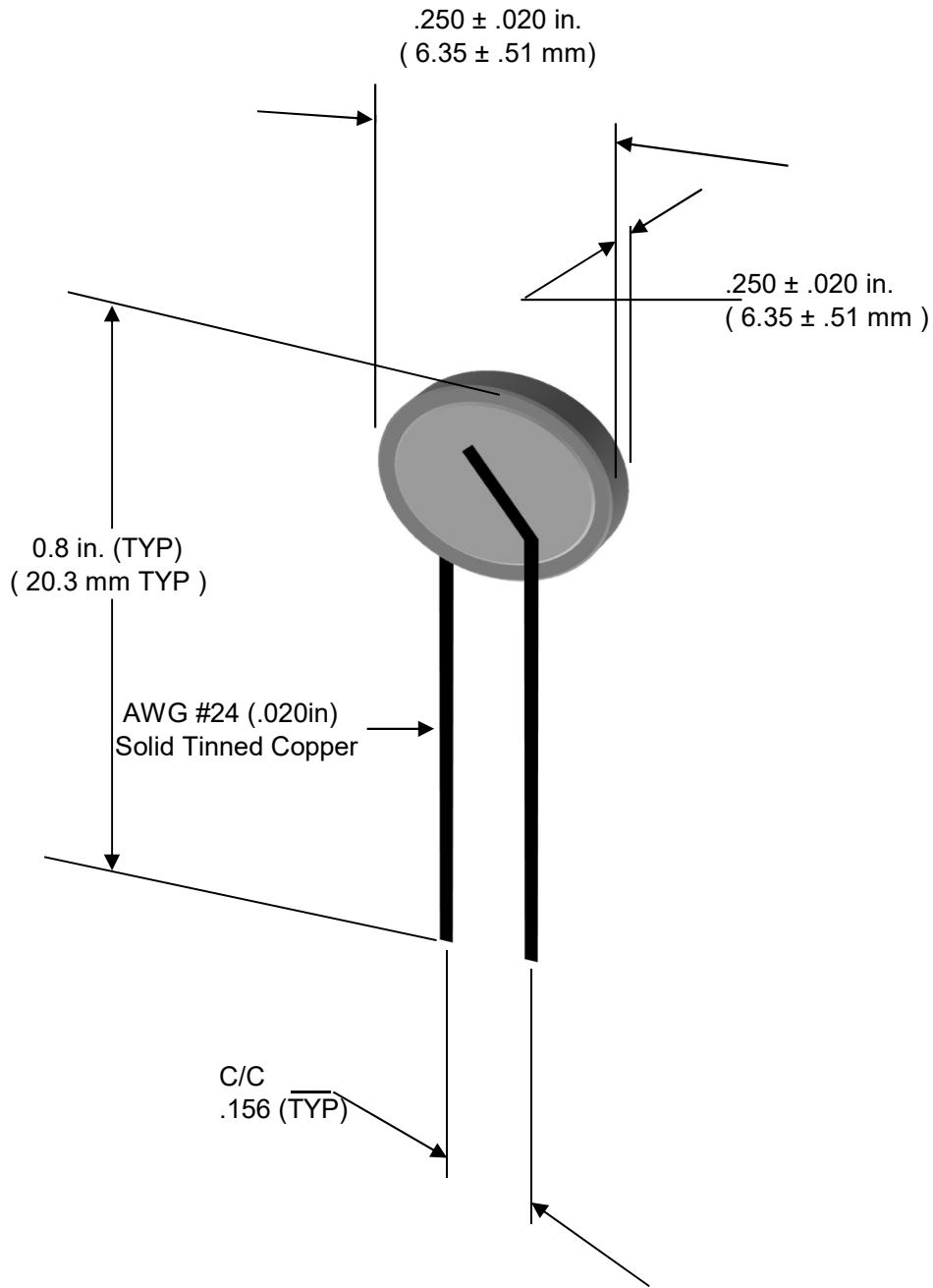


Note:

1. All dimensions are in inches (mm)
2. Resistance at 25°C = 100 Ohms ± 20%
3. Switch temperature = 120°C
4. Max voltage = 400 Volts



St Marys, PA 15857
 Ph : 814-834-1541
 Fax : 814-834-1556

E-Mail : Greg.Stauffer@thermistorsunlimited.com
 Web Site : www.thermistorsunlimited.com



REVISIONS

NUM	COMMENTS	BY
01	New Format	GJS

NAME : PTC Thermistor
 TYPE: P2520F120X102F

Approved by: GJS

BY: ADM

DATE: 07-19-2001